

Chroma Tilt Wall

CHRW

Project Name _____

Fixture Type _____

Quantity _____

Norwell | Lighting

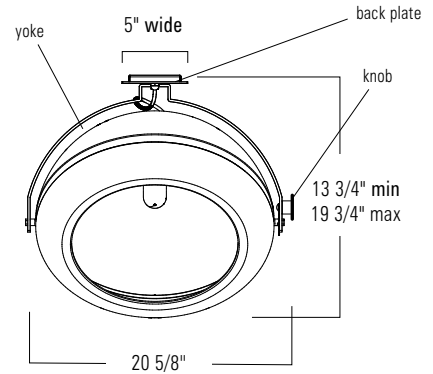
ILEX

Custom Metalcraft

CHRW



Chroma Tilt Wall Mount
Polished Aluminum / PA
Knob Satin Brass / SB



Chroma Pendant
CHR-WC-MW-MA



Chroma Tilt Wall Mount
Dome Architectural Bronze Powder Coat / ABPC
Knob Satin Brass / SB



Chroma Tilt Pendant
CHRT-SS-ABPC-SB



Chroma Wood Tripod
CHRTR-Mahogany-ABPC-BN



CHR Chroma Pendant
CHR-BC-SRPC-MA



Product Name / Dimensions			Mounting Options	Dome Finish Options	Yoke Accent Finishes	Lamping Options
Chroma Tilt Wall Mount / CHRW			Standard Wall Mount / WM	Standard Architectural Bronze Powder Coat / ABPC Polished Aluminum / PA Brushed Aluminum / BA Matte Black Powder Coat / MB	Metal Knob Finish Brushed Nickel / BN Satin Brass / SB	Standard Incandescent / IN (1) 150W max medium base Edison
Body Height	Width	Back plate				
12 1/2"	20 5/8"	5" wide X 6 1/2" high		Premium Custom Colors	Standard Backplate and Yoke Matte Black / MB ONLY	

DISCLAIMER:

Norwell Lighting and its companies, ILEX Architectural Lighting and Custom Metalcraft reserve the right to change specifications related to its product at anytime. USA Made indicates product is manufactured in East Taunton, Massachusetts facility. Phone: 508-823-1751

REV 5-2020